



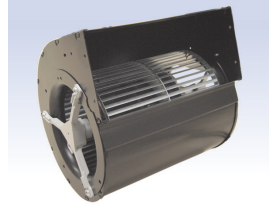
# GDSuG9 146x188R (120V) N11-A2-1



## DATA SHEET

release. d - Revision 04-2017

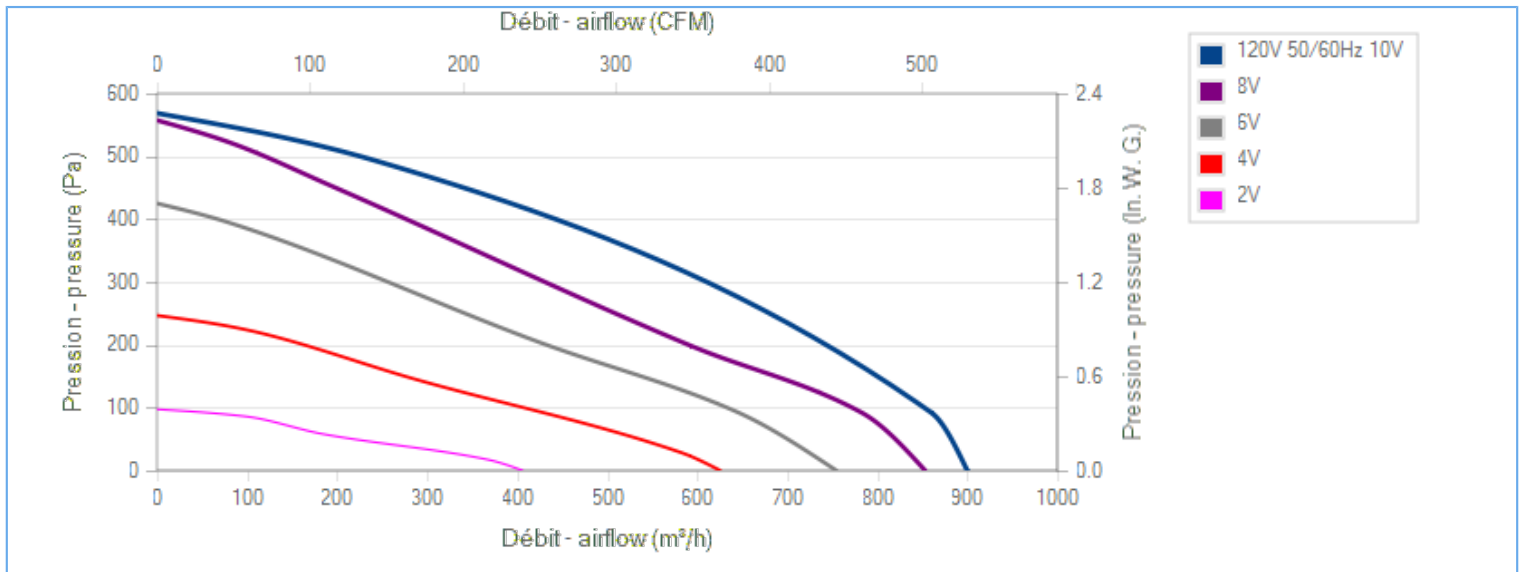
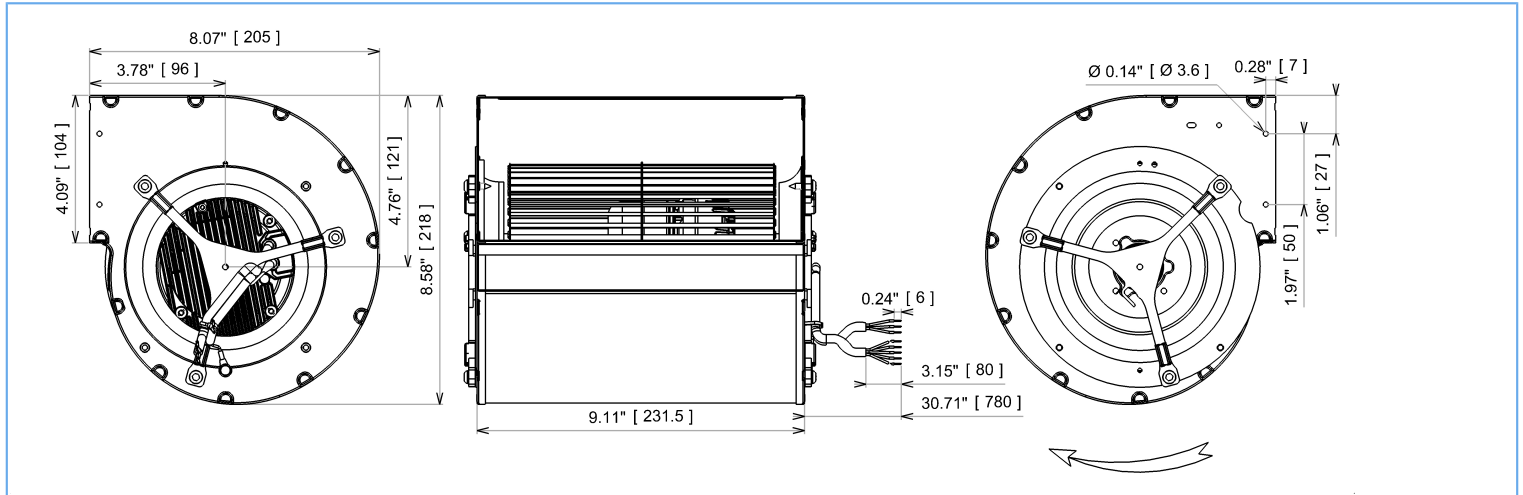
Voltage	Frequency	Input Power	Input Current	Airflow	Rotation speed	Acoustic level	Direction rotation	Admissible Temperature
V	Hz	W	A	m <sup>3</sup> /h	RPM	dBA		Min/Max
120	50/60	112	1,66	900	1395	59		-25°C / +60°C
120	50/60			529 CFM				-13°F / 140°F



dBA : free blowing

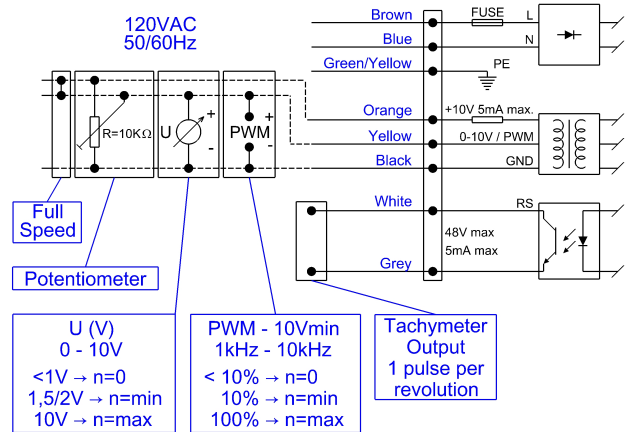
ErP 2013 OK

ErP 2015 OK



### Description

- .Weight : 3,6 Kg
- .Ball bearing
- .Insulation Class F
- .IP4x may be IP44 according to EN60034-5 after checking the integration into the customer appliance
- .G.2.5 balancing
- .Scroll housing : black paint
- .Motor - UL Recognized component





# GDSuG9 146x188R (120V) N11-A2-1



## DATA SHEET

release. d - Revision 04-2017

### Data in accordance to ErP directive

Voltage	120	V
Frequency	50	Hz
Power	0,146	kW <sup>(1)</sup>
Airflow	445	m <sup>3</sup> /h <sup>(1)</sup>
Pressure	400	Pa <sup>(1)</sup>
Rotation speed	2528	RPM <sup>(1)</sup>

(1) at optimal efficiency point

	Actual	Request 2013	Request 2015
Overall efficiency ( $\eta$ )	38,8	25,4	32,4
Efficiency grade	50	37	44
Installation category	A		
Efficiency category	static		
Variable speed drive	Yes		
Specific ratio	1,00		

Designed for regular application according ErP directive EU 2009/125/EC

### Accessories

21338

### Measurement setup

Contact ECOFIT

### Documents

Manuel d'utilisation

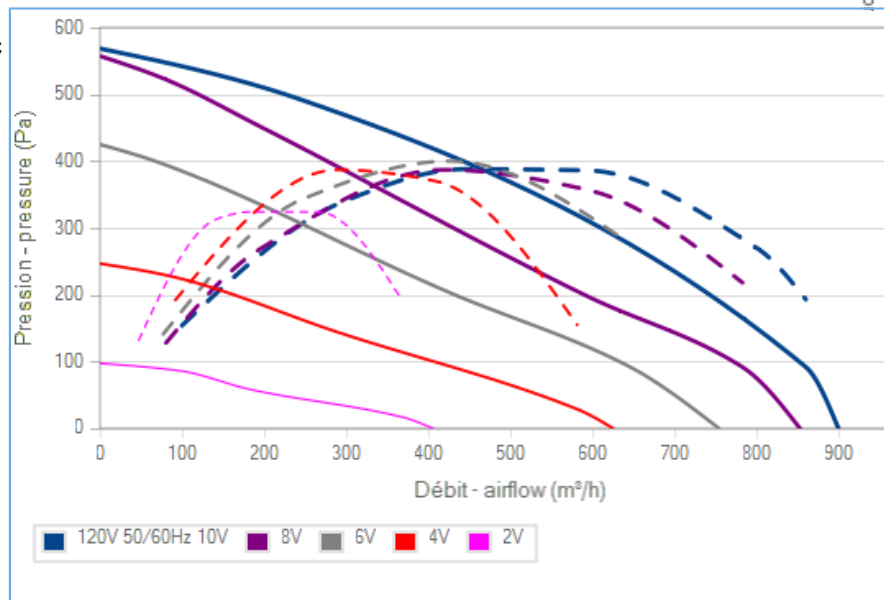
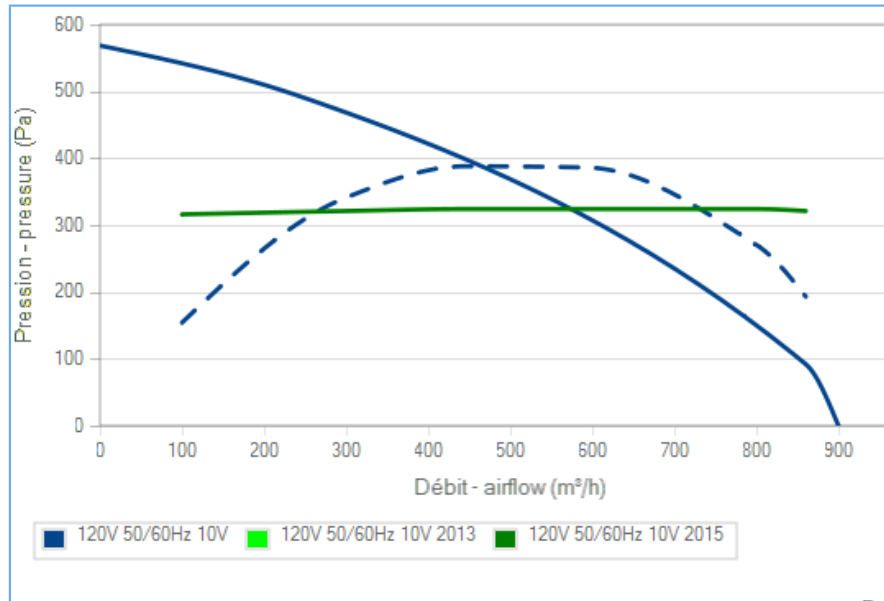
[www.ecofit.com/site/normes](http://www.ecofit.com/site/normes)

Operating and recycling manual

[www.ecofit.com/anglais/normes](http://www.ecofit.com/anglais/normes)



UL1004-1, 2nd edition "rotating electrical machine"  
 UL1004-3, 1st edition "thermally protected motors"  
 UL1004-7, 2nd edition "electronically protected motors"  
 C22.2 N°100-04, 6th edition "motors and generator"  
 C22.2 N°77-95, 7th edition "motors with inherent overheating protection"  
 UL Motor Model : RT9191  
 File Number : E326930 XDNW2.8



La courbe de rendement intègre le facteur de compensation de charge partielle du règlement (UE) n°327/2011  
 The efficiency curve includes part load compensation factor of regulation (EU) n°327/2011